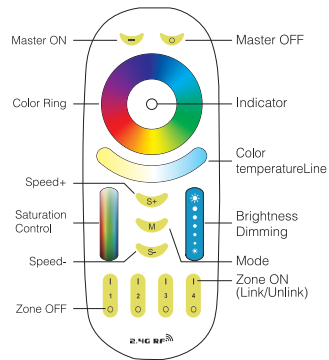


### FUT092 Link/Unlink

**Link:** First power off, then power on, within 3 seconds touch any of the Zone-ON button 3 times shortly, the link is done when you see the light blinks 3 times with green color, otherwise try again later.

**Unlink:** First power off, then power on, within 3 seconds touch the linked Zone-ON button or the Master-ON button 5 times shortly, the unlink is done when you see the light blinks 10 times with red color, otherwise try again later.

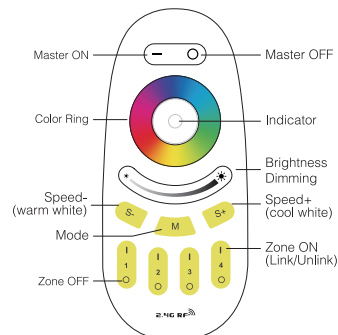
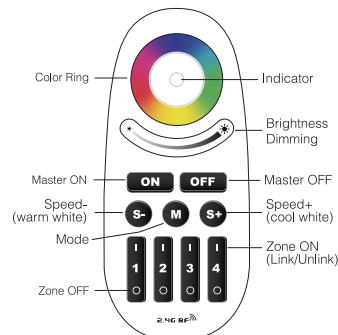


### FUT095 FUT096 Link/Unlink

**Link:** Press any 'I' button of the 4 zones immediately once you switch on the light bulb. The link is done once the light blinks 3 times.

**Unlink:** Long press the 'I' button of the linked zone immediately once you switch on the light bulb. The unlink is done once the light blinks 9 times.

Hold 'I' to get white mode, Under white mode, press 'S-' to get warm white, press 'S+' to get cool white, Under color mode, press 'S+/S-' for saturation control, When press 'M', S+/S- can adjust the speed of the dynamic modes.



### Caution

1. Link the spotlight with the remote control or the smart phone App before use!
2. Mi-Light WiFi ibox is needed for App control
3. Make sure the voltage is between AC86-265V.
4. Avoid using under high temperature or moisture.
5. Make sure the power is off before installation.

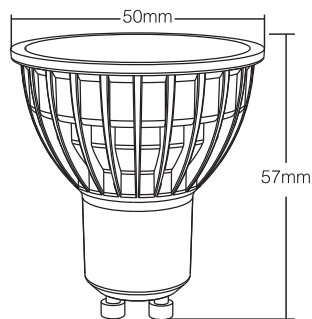
## Mi·Light® User Instruction



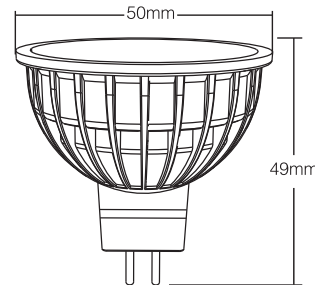
GU10 RGB+CCT LED Spotlight (FUT103)  
MR16 RGB+CCT LED Spotlight (FUT104)

### Features

- RGB+CCT  
16 Millions of colors to choose
- Color temperature  
2700-6500K
- Dimmable  
Saturation control
- Remote control  
2.4GHz RF, Control distance 30m
- Smart phone App control  
Mi-Light WiFi ibox is needed



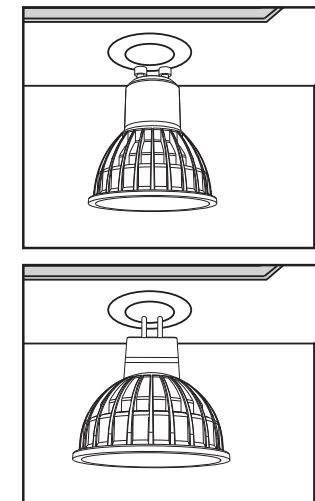
**GU10 RGB+CCT LED Spotlight**  
Model No.: FUT103  
Power: 4W  
Voltage: 86-265V  
Lifespan: 50000h  
Max Diameter: 50mm  
Max Length: 57mm  
Color temperature: 2700-6500K  
Luminous Flux: 250LM-280LM  
Luminous Efficiency: 70LM/W  
CRI: >80  
Beam angle: 25°  
PF: 0.55 φ



**MR16 RGB+CCT LED Spotlight**  
Model No.: FUT104  
Power: 4W  
Voltage: AC/DC12V  
Lifespan: 50000h  
Max Diameter: 50mm  
Max Length: 49mm  
Color temperature: 2700-6500K  
Luminous Flux: 250LM-280LM  
Luminous Efficiency: 70LM/W  
CRI: >80  
Beam angle: 25°

### Instructions

- Step 1**  
Put the light bulb in the suitable lighting fixture.



- Step 2**  
Link/Unlink  
Compatible with these three remote controls

