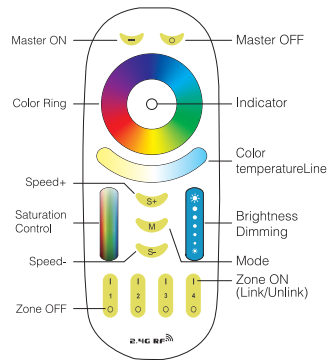


FUT092 Link/Unlink

Link: First power off, then power on, within 3 seconds touch any of the Zone-ON button 3 times shortly, the link is done when you see the light blinks 3 times with green color, otherwise try again later.

Unlink: First power off, then power on, within 3 seconds touch the linked Zone-ON button or the Master-ON button 5 times shortly, the unlink is done when you see the light blinks 10 times with red color, otherwise try again later.

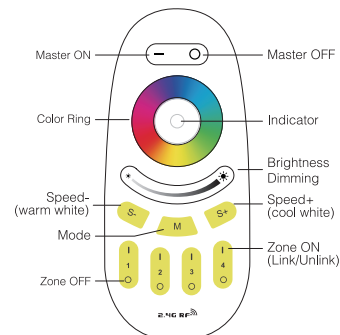
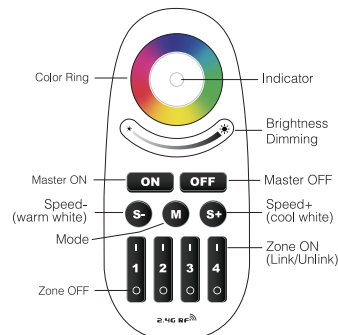


FUT095 FUT096 Link/Unlink

Link: Press any 'I' button of the 4 zones immediately once you switch on the light bulb. The link is done once the light blinks 3 times.

Unlink: Long press the 'I' button of the linked zone immediately once you switch on the light bulb. The unlink is done once the light blinks 9 times.

Hold 'I' to get white mode,
Under white mode, press 'S-' to get warm white, press 'S+' to get cool white,
Under color mode, press 'S+/S-' for saturation control,
When press 'M', S+/S- can adjust the speed of the dynamic modes.



Caution

1. Link the spotlight with the remote control or the smart phone App before use!
2. Mi-Light WiFi ibox is needed for App control
3. Make sure the voltage is between AC86-265V.
4. Avoid using under high temperature or moisture.
5. Make sure the power is off before installation.

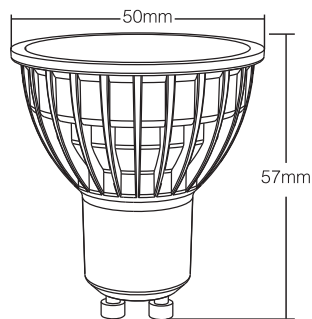
Mi·Light® User Instruction



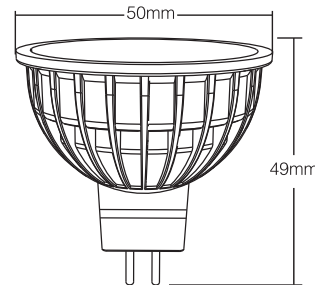
GU10 RGB+CCT LED Spotlight (FUT103)
MR16 RGB+CCT LED Spotlight (FUT104)

Features

- RGB+CCT
16 Millions of colors to choose
- Color temperature
2700-6500K
- Dimmable
Saturation control
- Remote control
2.4GHz RF, Control distance 30m
- Smart phone App control
Mi-Light WiFi ibox is needed



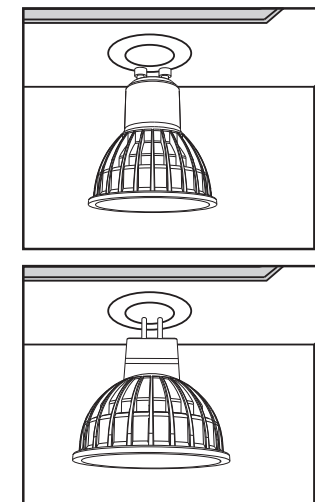
GU10 RGB+CCT LED Spotlight
Model No.: FUT103
Power: 4W
Voltage: 86-265V
Lifespan: 50000h
Max Diameter: 50mm
Max Length: 57mm
Color temperature: 2700-6500K
Luminous Flux: 250LM-280LM
Luminous Efficiency: 70LM/W
CRI: >80
Beam angle: 25°
PF: 0.55 φ



MR16 RGB+CCT LED Spotlight
Model No.: FUT104
Power: 4W
Voltage: AC/DC12V
Lifespan: 50000h
Max Diameter: 50mm
Max Length: 49mm
Color temperature: 2700-6500K
Luminous Flux: 250LM-280LM
Luminous Efficiency: 70LM/W
CRI: >80
Beam angle: 25°

Instructions

- Step 1**
Put the light bulb in the suitable lighting fixture.



- Step 2**
Link/Unlink
Compatible with these three remote controls

